

Cisco Webex



Cisco Webex Room 70 Panorama

Contents

Cisco Webex Room 70 Panorama overview	3
Features and benefits	4
Cisco Webex Room 70 Panorama registration	6
Product specifications	6
Regulatory compliance	11
Standards	12
Ordering information	12
Warranty information	13
Cisco environmental sustainability	13
Cisco services and support	13
Cisco Capital	14
For more information	14

Cisco Webex Room 70 Panorama is a high-end video collaboration product within the Cisco Webex Room Series portfolio. These fully integrated systems combine beautiful design and powerful functionality into an all-in-one solution for medium to large rooms. The Room 70 Panorama features a powerful engine to build more complex and specialized video scenarios. Room 70 Panorama transforms your meeting spaces into a video collaboration hub, whether connecting teams across the world or in local meetings.

The Cisco Webex® Room 70 Panorama is based on the Room 70D G2 and will be shipped as a complete technology package from Cisco. It includes everything you need to make it operational, including:

- Cisco® Room 70 Panorama (70P) with two 70-inch LED displays and one 65-inch or 55-inch Samsung 4K display for presentations
- Cisco Webex Room Navigator controller
- Table microphones
- Presentation cables
- Wall-mount, wall-secured floor-standing or free-standing mounting kit
 - 65-inch presentation display above system - wall mount or wall-secured floor standing only
 - 55-inch presentation display below system - wall-secured floor standing or free standing only

Cisco Webex Room 70 Panorama overview

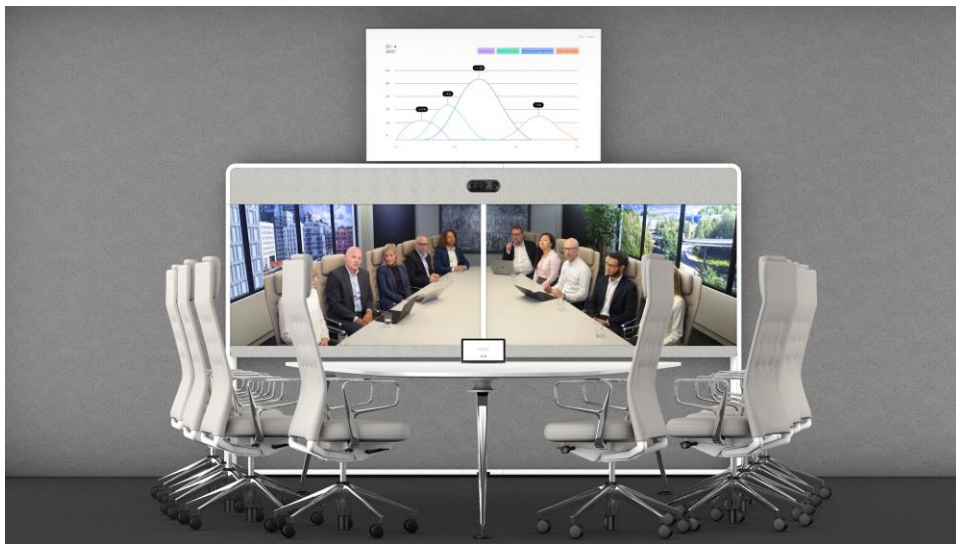


Figure 1.
Overview of the Cisco Webex Room 70 Panorama

Cisco Webex Room 70 Panorama delivers the industry-leading video and audio experience customers have come to expect from Cisco. In addition, capabilities enable even smarter meetings, smarter presentation capabilities, and smarter room and device integrations – further removing the barriers to usage and deployment of video in large-sized rooms. The Room 70 Panorama is built on the powerful Cisco Webex Room Kit Pro technology platform. This means there are more inputs and outputs to cover more meeting scenarios and larger rooms. The Room 70 Panorama now offers more power and flexibility to build custom and more specialized video conference rooms than ever before.

The Room 70 Panorama—comprising a powerful codec, a quad camera, two 70-inch 4K displays and one 65-inch or 55-inch 4K display, with integrated speakers and microphones*—is ideal for rooms that seat up to 14 people. It offers sophisticated camera technologies that bring panorama video, speaker-tracking, and auto-framing capabilities to medium- to large-sized rooms. The product is rich in functionality and experience and designed to be easily scalable to all of your large conference rooms and spaces, whether registered on the premises or to Cisco Webex through the Cisco Collaboration Cloud.

* Integrated microphones for speaker tracking only

Features and benefits

Table 1 outlines key features and benefits of the Room 70 Panorama.

Table 1. Webex Room 70 Panorama features and benefits

Feature	Benefits
Design features	<ul style="list-style-type: none"> • One of the most powerful and feature-rich video systems available with the ultimate in video and audio quality • Panorama main video • Next-generation UHD (4K) video collaboration codec • Next-generation HD fully automatic camera • Includes 3 displays. Two 70-inch displays for video and one 65-inch or 55-inch display for presentation • Everything you need in one unit (displays, speakers, codec, camera, touch user interface, microphones, mounting accessories) • Wall-mount, wall-secured floor standing or free-standing mounting kit <ul style="list-style-type: none"> ◦ 65-inch presentation display above system - wall mount or wall-secured floor standing only ◦ 55-inch presentation display below system - wall-secured floor standing or free standing only • Standards-compliant 1080p and 2160p solution - compatible with standards-based video without losing features

Feature	Benefits
Smart meetings	<ul style="list-style-type: none"> • Brings intelligent views to medium- to large-sized rooms with discreet, integrated cameras <ul style="list-style-type: none"> ◦ Panorama video - using multiple camera lenses together to create a wide panorama view ◦ Best overview - automatically detects meeting participants and provides ideal framing ◦ Speaker tracking - detects and switches between active speakers and provides ideal framing • Great audio experience with integrated speakers and external microphones • Automatic wake-up - system “wakes up” when someone walks into the room, and recognizes them through their mobile device • Easily controlled by the Cisco Webex Room Navigator or with a Cisco Webex™ app-enabled device • Supports switched conferencing for enhanced layouts and enabling video on multiple displays • Participate in Webex whiteboarding sessions from the Webex app; receive on-screen notification of shared whiteboard content (supported on cloud-registered devices) • HD collaboration with 1080p60 video and 2160p15 content • Simplified meeting-join experience with One Button To Push (OBTP) • End-to-end security
Smart presentations	<ul style="list-style-type: none"> • Utilizes three displays for video and content • Supports triple content sources for local meetings • 4K content sharing (local 30 fps; remote 15 fps) • Wired or wireless content sharing (supports Cisco Intelligent Proximity for content sharing to mobile devices and wireless sharing from Macs and PCs)
Smart integrations	<ul style="list-style-type: none"> • Metrics - counts people in the room, enabling analytics for better resource planning • Supports Wi-Fi • Easily control room peripherals such as lights, room dividers, and curtains directly from the Cisco Webex Room Navigator control unit through customizable APIs (requires external third-party control system processor)
Performance features	<ul style="list-style-type: none"> • Optimal definition up to 1080p60 • H.323/SIP up to 16 Mbps point to point • 6 simultaneous video inputs - three 4K and three full HD • Connect up to 8 microphones directly to the codec • Full duplex audio with high-quality stereo sound • Full Application Programming Interfaces (APIs) • Cisco Media Assure packet loss protection (Cisco ClearPath also supported)
Built for cloud and premises	<ul style="list-style-type: none"> • Flexibility to register on the premises or to the cloud through Webex • Hardware is optimized to run on a cloud platform for great experiences in shared rooms and spaces with easy access to hosted conferences

Bringing Panorama experiences to medium-sized and large-sized rooms

The Cisco Webex Room 70 Panorama is video innovation in an easy-to-install, all-in-one unit, bringing more intelligence and usability to your medium-sized and large-sized team collaboration rooms. While other vendors struggle to insert advanced features such as speaker tracking, wireless sharing, and 4K content into their high-end products, Cisco is already proliferating these innovations to meeting rooms of all sizes in a cost-effective and simple way. With the Room 70 Panorama, Cisco helps customers experience smarter meetings, enable smarter presentations, and create smarter room and device integrations. And when registered to Webex in the cloud, additional cloud-based functionalities are enabled that enhance the user experience and team workflow as well as further simplify deployment.

- **Smart meetings** - Powerful, integrated cameras deliver intelligent view capabilities, such as panorama video, automatic framing, and speaker tracking; automatic noise suppression reduces meeting disruptions.
- **Smart presentations** - Room 70 Panorama supports up to three displays, dual content sources, wireless sharing, and 4K content for great presentations.
- **Smart integrations** - People count for usage metrics and resource allocation; tight integrations with displays enhance user interactions; APIs and macros allow for meeting personalization.
- **Registration flexibility** - Room 70 Panorama is built for both cloud and on-premises deployment, protecting your investment.

Cisco Webex Room 70 Panorama registration

Table 2. Available licenses and terms

License level	Term
Cisco Webex device subscription	Monthly or 1-, 2-, 3-, 4-, or 5-year options

Product specifications

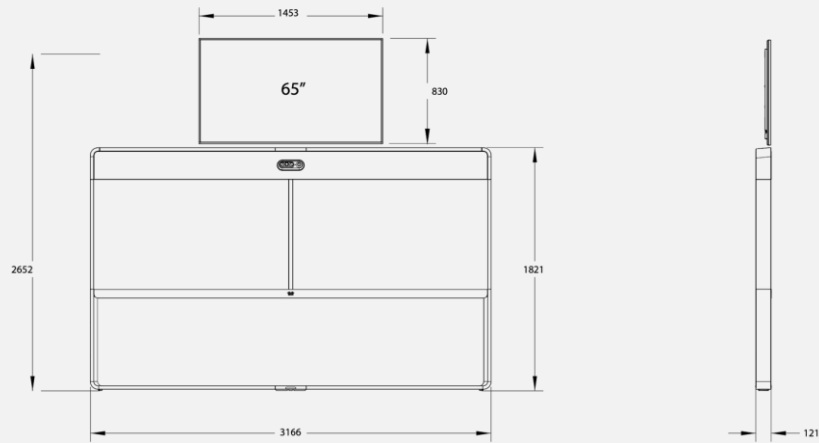
Table 3. Specifications

Specification	Description
Software compatibility	<ul style="list-style-type: none"> • Cisco Collaboration Endpoint Software Version 9.14.5 or later, or Cisco Webex RoomOS
Default components in Webex Room 70 Panorama	<ul style="list-style-type: none"> • Cisco Webex Codec Pro for Room 70 Panorama • Cisco Webex Quad Camera • 2x 70-inch main displays • 1x 65-inch or 55-inch presentation display with mounting brackets • Loudspeakers • Cisco Webex Room Navigator control unit • Wall-mount, wall-secured floor-standing or free-standing mounting kit <ul style="list-style-type: none"> ◦ 65-inch presentation display above system - wall mount or wall-secured floor standing only ◦ 55-inch presentation display below system - wall-secured floor standing or free standing only • 3x Cisco Table Microphone (with Euro block plug) • 2x presentation cable (HDMI - HDMI), LAN cable, and power cable

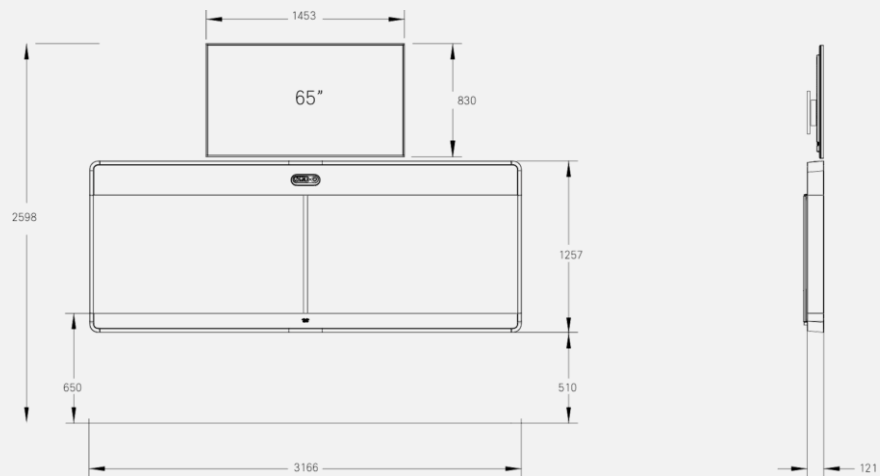
Specification	Description		
Displays	Main display (2 pieces) <ul style="list-style-type: none"> • 2x 70-inch TFT-LCD monitor, edge-lit LED • Resolution: 3840 x 2160 (16:9) • Contrast ratio: Typical 4000:1 • Viewing angle: <ul style="list-style-type: none"> ◦ +/- 88 degrees (typical) ◦ +/- 70 degrees (minimum) • Response time: Typical 6 ms • Brightness: <ul style="list-style-type: none"> ◦ 230 cd/m2 @ 7200K (default) ◦ 260 cd/m2 @ 10,000K 	65-inch presentation display option <ul style="list-style-type: none"> • Samsung LH65QMREBCCXEN • 65-inch VA-LCD display, edge LED • Resolution: 3840 x 2160 (16:9), 4K UHD • Contrast ratio: Typical 4000:1 • Viewing angle: +/-89 degrees • Response time: Typical 8 ms • Brightness: 300 cd/m2 	55-inch presentation display option <ul style="list-style-type: none"> • Samsung LH55QMREBCCXEN • 55-inch VA-LCD display, edge LED • Resolution: 3840 x 2160 (16:9), 4K UHD • Contrast ratio: Typical 4000:1 • Viewing angle: +/-89 degrees • Response time: Typical 8 ms • Brightness: 300 cd/m2
Optional hardware components	<ul style="list-style-type: none"> • Additional table microphones 		
Bandwidth	<ul style="list-style-type: none"> • Up to 16 Mbps point to point 		
Firewall traversal	<ul style="list-style-type: none"> • Cisco Expressway™ technology • H.460.18, H.460.19 firewall traversal 		
Video standards	<ul style="list-style-type: none"> • H.264, H.265, H.263 for TANDBERG™ MXP interop only (check admin guide) 		
Video inputs	<ul style="list-style-type: none"> • Two HDMI inputs support formats up to maximum 1080p60 (in use) • Three HDMI inputs support formats up to maximum UHD (3840 x 2160) @ 30 fps, including HD1080p60 • One 3G-SDI/HD-SDI input supports formats up to maximum 1080p60 • Extended Display Identification Data (EDID) • Consumer Electronics Control (CEC) 2.0 		
Video outputs	<ul style="list-style-type: none"> • Two HDMI outputs support formats up to 3840 x 2160@60 fps (4Kp60) (in use for main displays) • One HDMI output supports formats up to 3840 x 2160@30 fps (4Kp30) (in use for presentation display) • Consumer Electronics Control (CEC) 2.0 		
Encode and decode	<ul style="list-style-type: none"> • Video stream: Full HD 1080p60 • Content stream: 4K 2160p15 		
Audio standards	<ul style="list-style-type: none"> • G.711, G.722, G.722.1, G.729AB, 64 kbps and 128 kbps MPEG4 AAC-LD mono and stereo, OPUS 		
Audio features	<ul style="list-style-type: none"> • High-quality 20-kHz audio • Eight separate acoustic echo cancellers • Eight-port audio mixer • Eight assignable equalizers • Automatic Gain Control (AGC) • Automatic noise reduction • Active lip synchronization 		
Audio inputs	<ul style="list-style-type: none"> • Eight microphones, 48V phantom powered, Euroblock connector, each with separate echo cancellers and noise reduction; all microphones can be set for balanced line level • Three HDMI, digital: stereo PC/DVD input 		

Specification	Description
Audio outputs (external)	<ul style="list-style-type: none"> • Six balanced line level outputs, Euroblock connector • Three HDMI outputs (in use for embedded displays) • HDMI input #1 supports Audio Return Channel (ARC). Audio output to quad camera
Audio system	<ul style="list-style-type: none"> • Integrated full-range multichannel and bass speakers • Frequency response - 45 Hz to 20 kHz • Max output level SPL 104dB @ 1m
Speaker tracking	<ul style="list-style-type: none"> • 6-element microphone array for accurate speaker tracking
Dual stream	<ul style="list-style-type: none"> • H.239 (H.323) dual stream • Binary Floor Control Protocol (BFCP) (Session Initiation Protocol [SIP]) dual stream • Supports resolutions up to 3840 x 2160p15 (4Kp15) and 1080p60
Wireless sharing	<ul style="list-style-type: none"> • Cisco Webex client (up to 3840 x 2160p5) • Cisco Intelligent Proximity client (up to 1920 x 1080p5)
Protocols	<ul style="list-style-type: none"> • H.323 (Panorama video not supported) • Session Initiation Protocol (SIP) • Webex
Embedded encryption	<ul style="list-style-type: none"> • H.323 and SIP point to point • Standards-based: H.235 v3 and Advanced Encryption Standard (AES-128 or 256) • Automatic key generation and exchange
IP network features	<ul style="list-style-type: none"> • DNS lookup for service configuration • Differentiated services (Quality of Service [QoS]) • IP-adaptive bandwidth management (including flow control) • Automatic gatekeeper discovery • Dynamic playout and lip-sync buffering • H.245 Dual-Tone Multi-Frequency (DTMF) tones in H.323 • DTMF tones in SIP, RFC 4733 • Date and time support using Network Time Protocol (NTP) • Packet loss-based downspeeding • Uniform Resource Identifier (URI) dialing • TCP/IP • Dynamic Host Configuration Protocol (DHCP) • 802.1X network authentication • 802.1Q Virtual LAN • 802.1p (QoS and Class of Service [CoS]) • Cisco Media Assure and ClearPath
Call control	<ul style="list-style-type: none"> • Cisco Collaboration Cloud/Webex • Cisco Unified Communications Manager (UCM) <ul style="list-style-type: none"> ◦ Native registration with UCM ◦ Requires UCM Version 10.5.2 or later with device pack for Room 70 Panorama • Cisco Video Communication Server (VCS) <ul style="list-style-type: none"> ◦ Native registration with VCS • Panorama Video not supported on H323

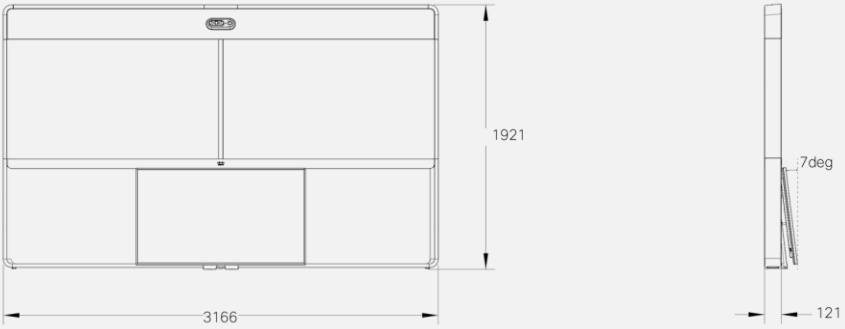
Specification	Description
Cisco TelePresence® Management Suite (TMS)	<ul style="list-style-type: none"> • Support for Room 70 Panorama beginning with version TMS 15.11
IPv6 network support	<ul style="list-style-type: none"> • Single call stack support for both H.323 and SIP • Dual-stack IPv4 and IPv6 for DHCP, SSH, HTTP, HTTPS, DNS, DiffServ • Support for both static and automatic IP configuration, stateless address auto configuration, and DHCPv6
Security features	<ul style="list-style-type: none"> • Management using HTTPS and SSH • IP administration password • Password to access administration features on Touch controller • Disable IP services • Network settings protection
Certificate management	<ul style="list-style-type: none"> • Certificate Authority Proxy Function (CAPF) support for additional security • Manufacturer-Installed Certificates (MIC) • Locally Significant Certificates (LSC) • X.509 digital certificates (DER encoded binary); both DER and Base-64 formats are acceptable for the client and server certificates; certificates with a key size of 1024, 2048, and 4096 are supported
Network interfaces codec medium	<ul style="list-style-type: none"> • One Ethernet (RJ-45) 10/100/1000 for LAN • Two Ethernet (RJ-45) 10/100/1000 for direct pairing with camera • Two Ethernet (RJ-45) 10/100/1000 with Power over Ethernet (PoE). One dedicated for direct pairing with Cisco Webex Room Navigator • Wi-Fi 802.11a/b/g/n/ac 2.4 GHz/5 GHz for LAN • 2x2 Multiple Input and Multiple Output (MIMO)
Other interfaces	<ul style="list-style-type: none"> • 2x USB A port, USB-B, uUSB, factory reset pinhole
Power	<ul style="list-style-type: none"> • Autosensing power supply • 100-240 VAC, 50/60 Hz • Dual-screen system: average 470W • 55-inch presentation screen: average 126W* • 65-inch presentation screen: average 152W* <p>* Power consumption under normal operating conditions as defined in IEC 60950-1</p>
Operating temperature and humidity	<ul style="list-style-type: none"> • 0° to 35° C (32° to 95° F) ambient temperature • 20% to 90% Relative Humidity (RH) • Max operating altitude: 3000 meters (9842 ft.)
Storage and transport temperature	<ul style="list-style-type: none"> • -20° to 60° C (-4° to 140° F) at RH 10% to 90% (noncondensing)

Specification**Description****Dimensions**

- Webex Room 70 Panorama with 65-inch presentation display and floor standing:
 - Width: 124.65 in (3166 mm)
 - Height: 104.41 in (2652 mm)
 - Depth: 4.76 in (121 mm)
 - Weight: 546.8 lb (248 kg)



- Webex Room 70 Panorama with 65-inch presentation display and wall mount:
 - Width: 124.65 in (3166 mm)
 - Height: 102.28 in (2598 mm)
 - Depth: 4.76 in (121 mm)
 - Weight: 560 lb (254 kg)

Specification	Description
	 <ul style="list-style-type: none"> • Webex Room 70 Panorama with 55-inch presentation display below and floor standing: <ul style="list-style-type: none"> ◦ Width: 124.65 in (3166 mm) ◦ Height: 75.63 in (1921 mm) ◦ Depth: 4.76 in (121 mm) ◦ Weight: 519 lb (235.5 kg)
Packaging	<ul style="list-style-type: none"> • 2 pallets
Camera overview	<ul style="list-style-type: none"> • 5K Ultra HD camera • Supports up to 1080p60 video out • 15.1 MP image sensor • 1/1.7 CMOS • 5x digital zoom (3 tele-lenses, each with a 50° horizontal field of view) • f/2.0 aperture • 83° horizontal field of view; 51.5° vertical field of view • Auto-framing (audio + face detect) • 5120 x 2880 pixel resolution • Auto focus, brightness, and white balance • Focus distance: 1 meter to infinity

Regulatory compliance

- Directive 2014/30/EU (EMC Directive) and Directive 2014/35/EU (Low-Voltage Directive) for the non-radio versions
- Directive 2014/53/EU (Radio Equipment Directive) for the radio versions
- Directive 2011/65/EU (RoHS)
- Directive 2002/96/EU (WEEE)
- NRTL approved (product safety)
- FCC listed (radio equipment)

Standards

- Radio: EN 300 328, EN 301 893, EN 300 440 (only for the radio versions)
- EMC: EN 301 489-1 and -17 (only for the radio versions), EN 55032 - Class A, EN 55024
- Safety: EN 60950-1 (for radio and non-radio), EN 62479, EN 62311 (for the radio versions)
- FCC CFR 47 Part 15B (EMC) - Class A
- FCC CFR 47 Part 15C (RF)
- FCC CFR 47 Part 15E (RF)

Check the [Product Approval Status Database](https://www.ciscofax.com/) at <https://www.ciscofax.com/> for approval documents per country.

Ordering information

To place an order, contact your local Cisco representative and refer to Table 4.

Table 4. Ordering information

Product name	Part number	Compliance model number
Cisco Webex Room 70 Panorama, Dual 70-inch screens + presentation screen	CS-ROOM70-PANO-K9	TTC60-27
Cisco Webex Room 70 Panorama, No-Radio	CS-ROOM70P-NR-K9	
Cisco Webex Room 70 Panorama, NoCrypto - No-Radio	CS-ROOM70P-NR-K7	
Presentation screen mounting		
Above presentation screen mount	CS-R70-PRES-TOP	
Below presentation screen mount	CS-R70-PRES-BTM	
Presentation screen option		
Samsung 55-inch presentation screen	CS-PANO-MON55	
Samsung 65-inch presentation screen	CS-PANO-MON65	
Mounting options		
Cisco Webex Room 70 Panorama Floor Stand Kit, free stand or secured to the wall (both options included)	CS-ROOM70P-FSK	
Cisco Webex Room 70 Panorama Wall Mount Kit	CS-ROOM70P-WMK	

Product name	Part number	Compliance model number
Options		
Cisco Table Microphone	CS-MIC-TABLE-E	
Cisco Multi-Connector Presentation Cable (HDMI to Multi (USB-C, Mini-DP and HDMI) cable 9m)	CAB-HDMI-MULT-9M	
Extension cable for Table Microphone	CAB-MIC-EXT-E	
Software options - ordered separately		
Remote monitoring	L-ROOM-RM (L-TP-RM)	
Spares		
See separate spare part document		

Warranty information

Cisco Webex Room 70 Panorama has a 90-day limited liability warranty.

Cisco environmental sustainability

Information about Cisco’s environmental sustainability policies and initiatives for our products, solutions, operations, and extended operations or supply chain is provided in the “Environment Sustainability” section of Cisco’s [Corporate Social Responsibility](#) (CSR) Report.

Reference links to information about key environmental sustainability topics (mentioned in the “Environment Sustainability” section of the CSR Report) are provided in the following table:

Sustainability topic	Reference
Information on product material content laws and regulations	Materials
Information on electronic waste laws and regulations, including products, batteries, and packaging	WEEE compliance

Cisco makes the packaging data available for informational purposes only. It may not reflect the most current legal developments, and Cisco does not represent, warrant, or guarantee that it is complete, accurate, or up to date. This information is subject to change without notice.

Cisco services and support

Cisco and our partners provide a broad portfolio of smart, personalized services and support that can help you realize the full business value of your Cisco collaboration investment by increasing business agility and network availability. This portfolio of services accelerates business innovation by harnessing the network as a powerful business platform. For more information about these services, visit:

<https://www.cisco.com/go/collaborationservices>.

Cisco Capital

Flexible payment solutions to help you achieve your objectives

Cisco Capital makes it easier to get the right technology to achieve your objectives, enable business transformation and help you stay competitive. We can help you reduce the total cost of ownership, conserve capital, and accelerate growth. In more than 100 countries, our flexible payment solutions can help you acquire hardware, software, services and complementary third-party equipment in easy, predictable payments. [Learn more](#).

For more information

- Learn more about [Cisco Webex Room 70 Panorama](#)
- Download the [Cisco Webex app](#)

Americas Headquarters
Cisco Systems, Inc.
San Jose, CA

Asia Pacific Headquarters
Cisco Systems (USA) Pte. Ltd.
Singapore

Europe Headquarters
Cisco Systems International BV Amsterdam,
The Netherlands

Cisco has more than 200 offices worldwide. Addresses, phone numbers, and fax numbers are listed on the Cisco Website at <https://www.cisco.com/go/offices>.

Cisco and the Cisco logo are trademarks or registered trademarks of Cisco and/or its affiliates in the U.S. and other countries. To view a list of Cisco trademarks, go to this URL: <https://www.cisco.com/go/trademarks>. Third-party trademarks mentioned are the property of their respective owners. The use of the word partner does not imply a partnership relationship between Cisco and any other company. (1110R)